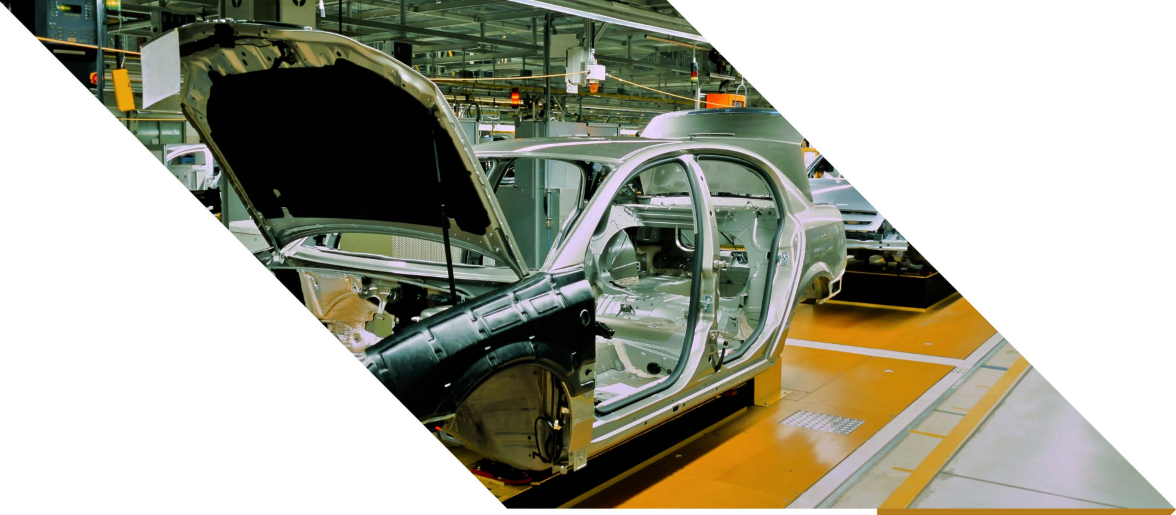


Lateral Modal Shaker Stand



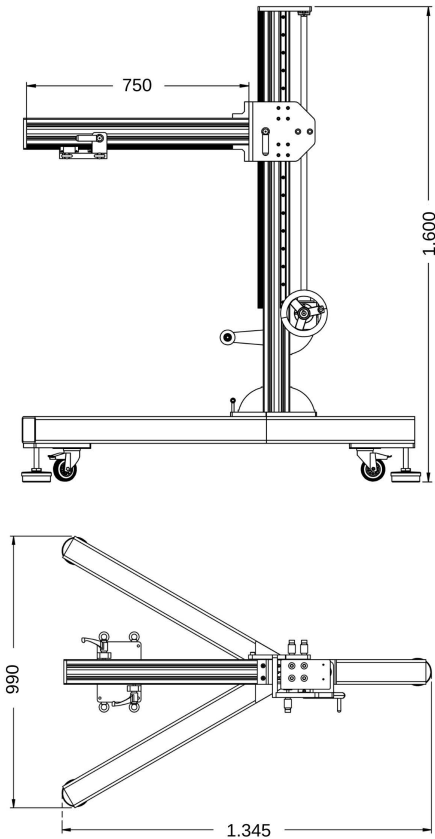
General Description

Lateral Modal Shaker Stand is a functional tool designed for accurate positioning of the shaker in modal test applications. It is easy to adjust the shaker to the desired position with the carrier on the horizontal arm and the lever on the main structure. Lateral Modal Shaker Stand provides more reliable results with reduced measurement errors.

Specifications

- Rigid sigma profile structure
- 700mm maximum vertical movement
- 500mm maximum horizontal movement
- Easy-to-move structure with wheels
- 70 kg carrying capacity
- Piano-wire support
- Shaker connector set
- Reduction lever

Dimensions



Dimensions in mm

